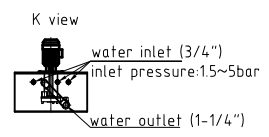
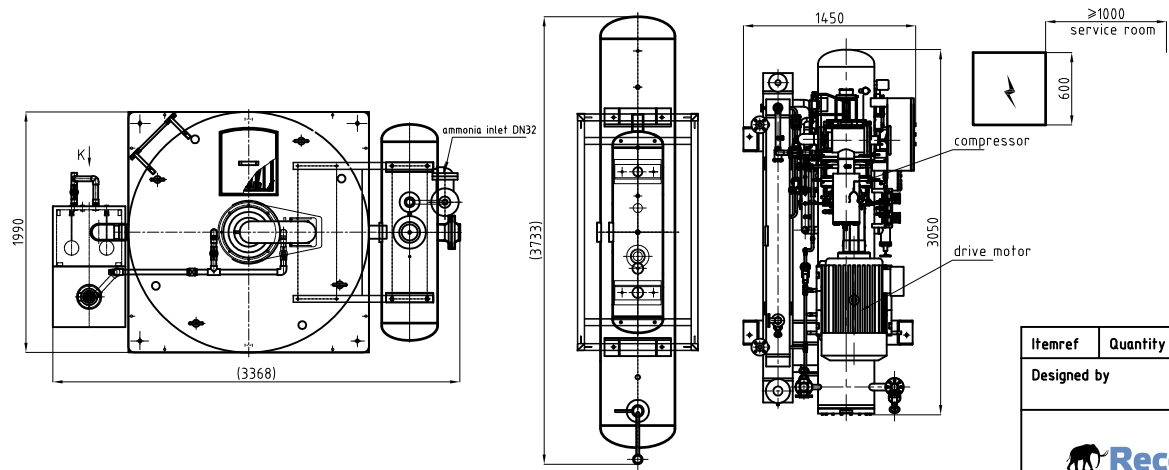


- Note:
1. The compressor unit, ice maker, the pressure vessels pack, and the electrical box should be located indoor, while the evaporative condenser located outdoor.
 2. The machines are split type and will be installed on the working site.
 3. The condenser would be better within 10 meters away from the compressor unit and 4 meters higher than the compressor unit.
 4. The dimensions in the drawing are for your reference only, which is subject to actual design. At least 1 meter service room surrounding the equipments; The equipment foundation should be prepared well by the client before equipment arriving.
 5. All water pipelines, cables should be connected to designated ports by client on site;
 6. Unless special instruction, it shall follow our standard product specification.
 7. Detailed supply scope is subject to the Sales Contract.



Technical data:

water inlet temp.	8°C (after chilling)
ambient temp.	36°C
wet bulb temp.	28°C
nominal ice output	25t/24hr
power supply	3P/400V/50Hz
refrigerant	R717
installation power	about 101kW
power consumption	about 75.5kW
ice making water consumption	1.05m³/hr

Itemref	Quantity	Title/Name, designation, material, dimension etc	Article No./Reference		
Designed by	Checked by	Approved by - date	Filename	Date	Scale
			25T flake ice machine layout drawing		
F250ET-5sp				Edition	Sheet

