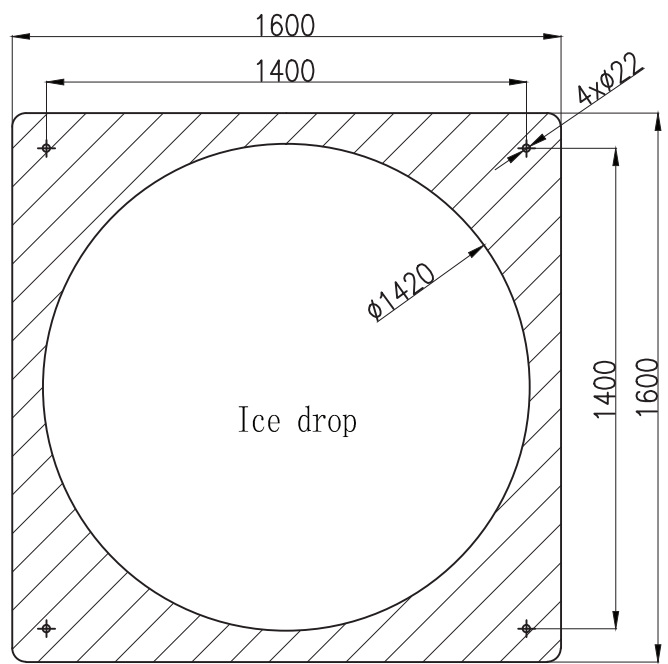
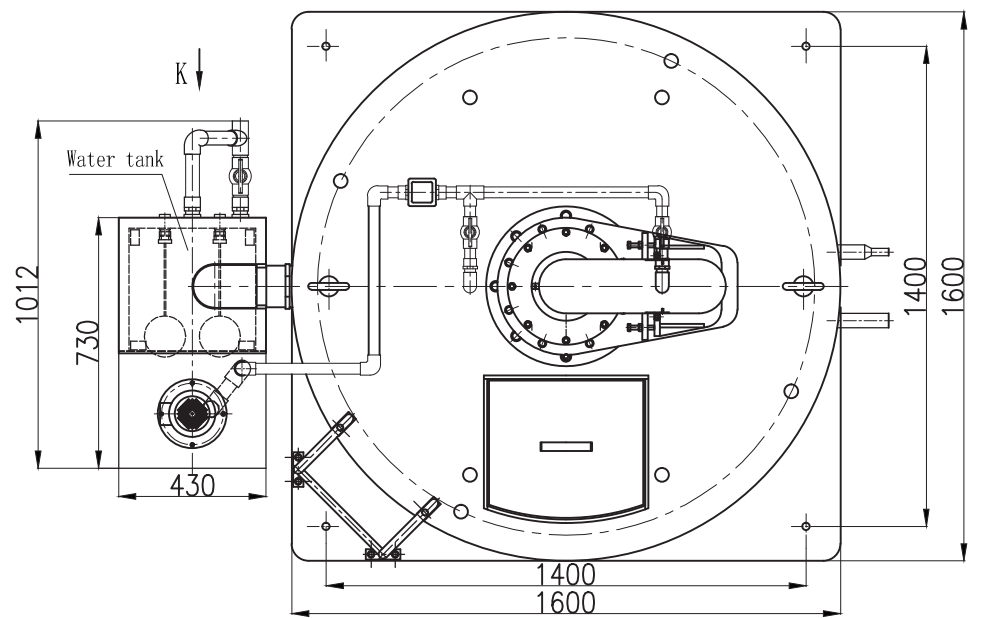
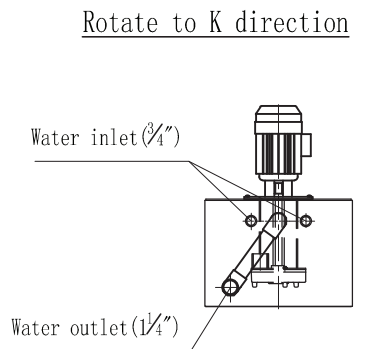
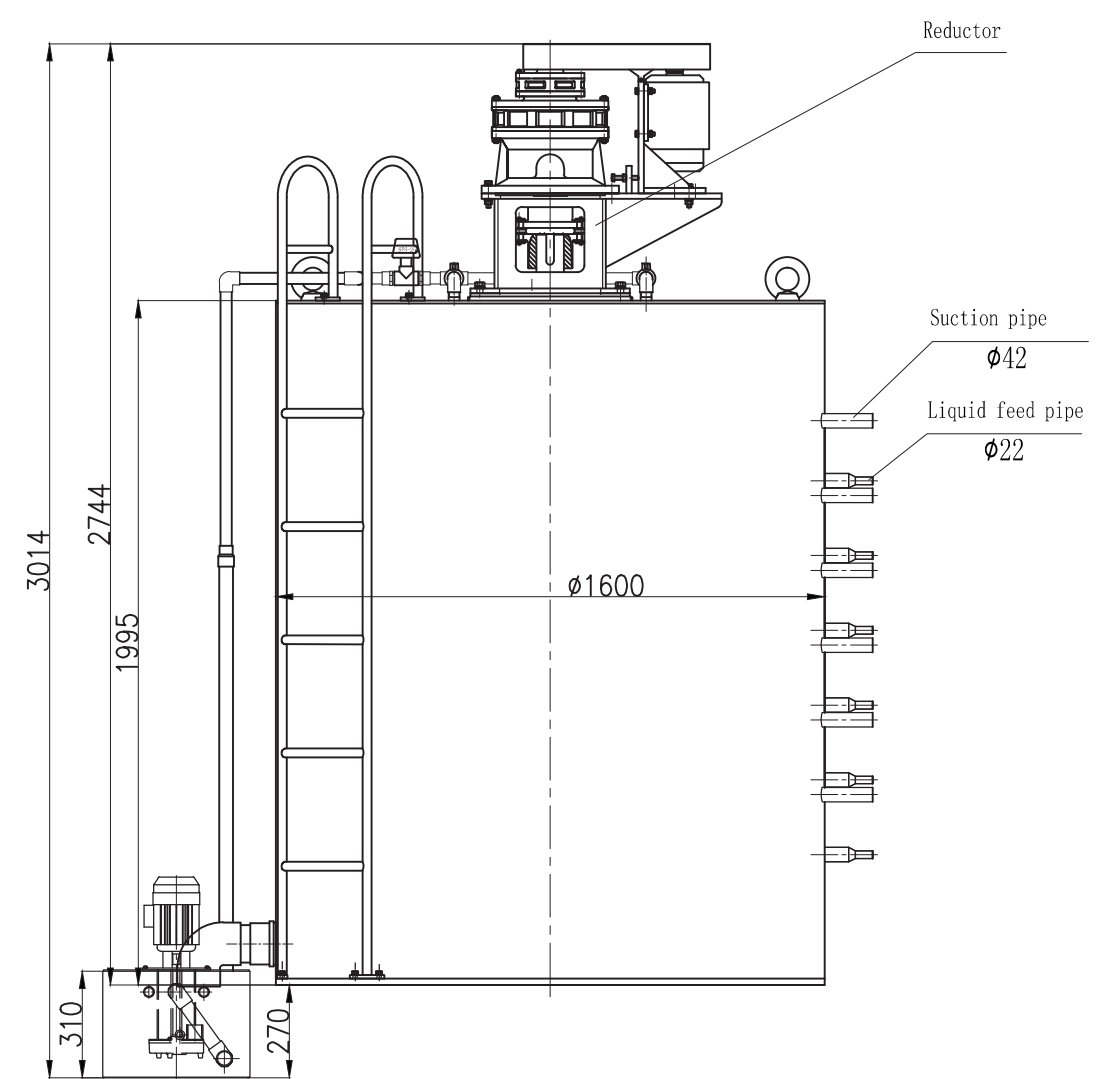


Technical data

| | | |
|------------------------------------|-------------------------|--------------|
| Standard operation conditions | water inlet temperature | 20°C |
| | Ambient temperature | 33°C |
| Evaporative temperature | | -22°C |
| Required refrigeration capacity | | 94940Kcal/h |
| Refrigeration | | R507 |
| Capacity | | 20T/24H |
| Voltage | | 3P/380V/50Hz |
| Reductor power(KW) | | 1.1 |
| Water pump(KW) | | 0.4 |
| Weight/set(Kg) | | 2634 |
| Outer diameter of liquid feed pipe | | cu22x6 |
| Outer diameter of suction pipe | | cu42x6 |



| Itemref | Quantity | Title/Name, designation, material, dimension etc | | | Article No./Reference | |
|--------------------|-------------------|--|--------------------------------------|--------------|-----------------------|--|
| Designed by XXX | Checked by XXX | Approved by - date XXX - 00/00/00 | File name XXX | Date | Scale 1:1 | |
| | | | 20T/day flake ice evaporator drawing | | | |
| | | | FD200 | Edition 0 | Sheet 1/1 | |